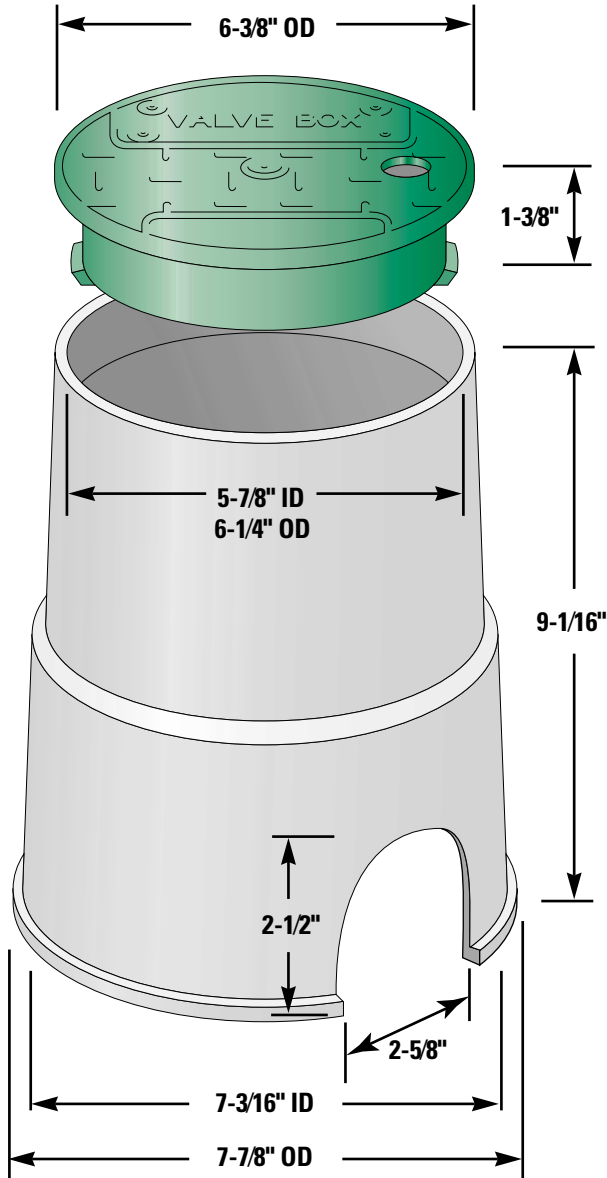


ARMOR™

ACCESS BOXES

6" ECONO TURF BOXES



- PLYMOUTH SUPERFLEXON® Material
 - Stronger than Structural Foam, Greater Top-load Strength
 - More UV and Wear Resistant than Structural Foam
 - 10 Year Lid Guarantee
- Lighter than Cast Iron or Concrete Boxes
 - Easier Warehouse Handling
 - Lower Injuring Potential
- Snap Fit on Drop-in Lid
 - Keeps Lid Intact in High Water
- T-Top Lid
- Lids Come in Black, Green, Tan, Gray, Brown Mulch and Brick Red
- Boxes Are Available in Black



"You're Covered!"

ARMOR ACCESS BOXES

DESCRIPTION	PART #
6" ECONO BOX ASSEMBLIES	
Control Valve (w/2 Mouse Holes)	
Black Box, Green Lid	182101
Black Box, Green Lid (Same as 182101 only boxed per case)	182103
Black Box, Black Lid	182106
Black Box, Brown Mulch Lid	182109
Black Box, Brick Red Lid	182108
Blank (w/2 Mouse Holes)	
Black Box, Black Lid	182111
BOXES ONLY	
Black w/2 Mouse Holes	182001

DESCRIPTION	PART #
LIDS ONLY	
Control Valve	
Green	182002
Black	182005
Brown Mulch	182008
Brick Red	182007
Blank	
Black	182010

PLYMOUTH SUPERFLEXON® BOXES AND COVERS

A rigid combination of polyolefin and fibrous inorganic components. PLYMOUTH SUPERFLEXON® plastic material is chemically inert and normally unaffected by moisture, corrosion and the effects of temperature changes. PLYMOUTH SUPERFLEXON® also has a relatively high tensile strength with light weight because it is a solid (not foamed) structural material.

PLYMOUTH SUPERFLEXON® covers are NOT traffic covers and should not be used in roadways, etc.

Physical Properties:

ASTM Test Method	Minimum Test Value
Tensile Strength (2.0"/min.)	D-638-82a 3,400 psi
Flexural Modulus	D-790-81 191,000 psi
Compressive Strength (0.05"/min.)	D-695-80 3,350 psi
Impact Strength, Izod	D-256-81 0.6 ft. lb/in.
Durometer Hardness, Type D	D-2240-81 60
Deflection Temp. @ 66 psi Stress	D-648-82 230°F
Specific Gravity	D-792-66 (1979) 1.15



502 Indiana Ave - P.O. Box 1047, Sheboygan, WI 53082-1047, USA
 Phone: (800)348-7558 • Fax: (888)246-0085 • International Phone: (920)451-9321
 E-mail: info@armoraccessboxes.com • www.armoraccessboxes.com