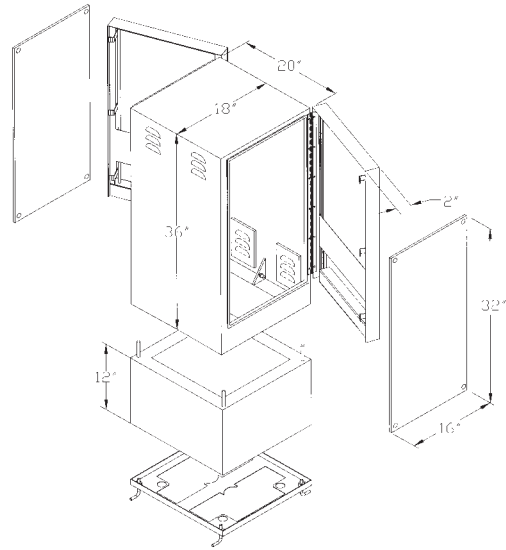


SB-18DCR
18" Wide Double Door Enclosure

- 18" Wide, 36" High, 24" Deep
- Stainless Steel Hinge
- Weather & Vandal Resistant
- UL Listed
- NEMA 3R Rated
- Three-Point Locking System
- Two Removable, Predrilled Backboards
- Large Door-Mounted Storage
- Louvered For Ventilation

**SB-24DCR**
24" Wide Double Door Enclosure

- 24" Wide, 36" High, 24" Deep
- Stainless Steel Hinge
- Weather & Vandal Resistant
- UL Listed
- NEMA 3R Rated
- Three-Point Locking System
- Two Removable, Predrilled Backboards
- Large Door-Mounted Storage
- Louvered For Ventilation

