

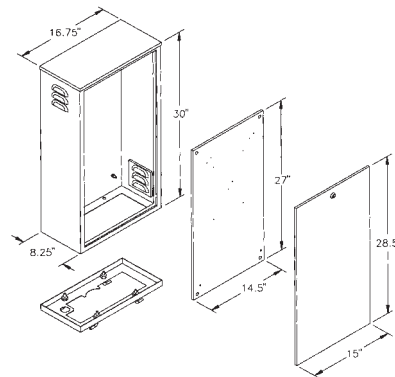


THE WEATHER RESISTANT CABINET

- 100% stainless steel construction assures long-term, rustproof durability
- Removable, predrilled backboard provides for easy installation and an attractive finished product
- Chameleon effect of the natural brushed stainless steel finish provides an unobtrusive quality
- Filtered side louvers at bottom and top allow cross flow ventilation
- Cam style lock for convenient access
- Available in pedestal or wall mount
- Ten year limited warranty
- NEMA 3R rated

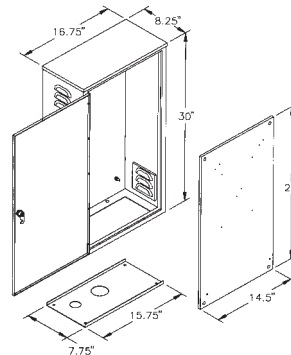
**LD-16S
16" Wide Cabinet**

- 16.75" Wide, 30" High, 8.25" Deep
- 100% Stainless Steel
- Weather Resistant
- UL Listed
- NEMA 3R Rated
- Cam Style Lock
- Removable, Predrilled Backboard
- Louvered For Ventilation



**LD-16SW
16" Wide Wall Mount Cabinet**

- 16.75" Wide, 30" High, 8.25" Deep
- 100% Stainless Steel
- Weather Resistant
- UL Listed
- NEMA 3R Rated
- Cam Style Lock
- Removable, Predrilled Backboard
- Louvered For Ventilation



**LD-18SW
18" Wide Wall Mount Cabinet**

- 18" Wide, 18" High, 7" Deep
- 100% Stainless Steel
- Weather Resistant
- UL Listed
- NEMA 3R Rated
- Cam Style Lock
- Removable, Predrilled Backboard

