



**EXPANDED METAL VANDAL RESISTANT
BACKFLOW COVER**

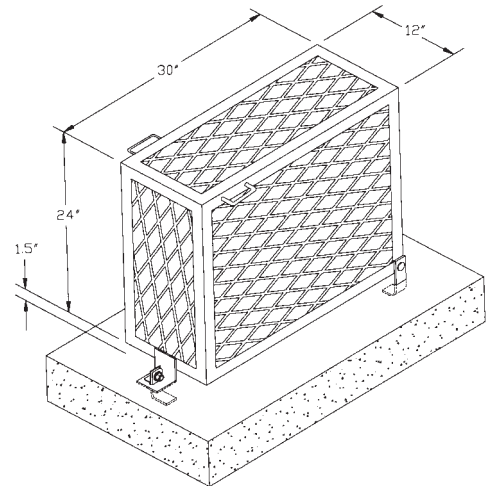
- 1 1/2" number 9, flattened expanded metal allows full viewing of backflow preventer
- 10 gauge cold rolled, formed steel frame provides strength and stability
- Lock tab provides for use of padlock
- Easy lift handles and hinges access provides for service and testing
- Coated with a performance polymer alloy coating to prevent handling injury.
- Open diamond-patterned panels minimizes surface area for graffiti
- One year limited warranty

Low Profile Expanded Metal Cover

	"A" Length	Height	Width
BC-30CR	30"	25.5"	12"
BC-45CR	45"	31.5"	18"

Note: For inside dimensions, see Backflow Cover Sizing Chart on page 18.

- Plasticote Powder Coat Finish
- Accepts Padlock
- Hinged For Easy Access
- Minimized Surface Area for Graffiti



High Profile Expanded Metal Cover

	"A" Length	Height	Width
BC-75CR	75"	43.5"	30"

Note: For inside dimensions, see Backflow Cover Sizing Chart on page 18.

- Plasticote Powder Coat Finish
- Accepts Padlock
- Hinged For Easy Access
- Minimized Surface Area for Graffiti

